



M-11
Stage Fog Machine
User Manual
-English
-中文



© 2023 Antari Lighting and Effects Ltd.

1. Introduction	1
2. Safety Information.....	1
3. Package Items.....	4
4. Product Overview.....	5
5. Technical Label Information	6
6. Fluid.....	6
7. Setting Up.....	6
8. Operation	7
9. Machine Status Message	9
10. DMX Connection	10
11. RDM Function.....	11
12. WTR-20 Wireless Control Operation (Optional)	12
13. Wireless DMX Operation (Optional)	14
14. Two in One Wireless Remote & Wireless DMX (Optional)	15
15. Service and Maintenance.....	16
16. Technical Specifications	17
17. Machine Dimension	17
18. Exploded diagram.....	18
1. 前言	20
2. 安全注意事項	20
3. 包裝內容	23
4. 機器外觀概述	23
5. 技術標籤資訊	24
6. 液體使用	25
7. 機器安裝操作步驟	25
8. 操作說明	25
9. 機器狀態說明	27
10. DMX 說明.....	29
11. RDM 說明	30
12. WTR-20 無線控制模組配對及操作說明 (選配).....	31
13. 無線 DMX 安裝說明 (選配).....	32
14. 二合一無線控制&無線 DMX 模組(選配).....	34
15. 機器維護保養	34
16. 技術規格	36
17. 機器尺寸圖	36
18. 機台爆炸圖	37



User Manual

1. Introduction

Please read this user manual carefully before operating the machine.

Please put this manual in a place where you can refer to it at any time.

If you encountered any problems, please contact your local Antari dealer for advice and assistance.

2. Safety Information

CAUTION!



Please read the following safety information carefully before operating the machine. This information includes important safeguards about installation, usage and maintenance. Pay attention to all warning labels and instructions in this manual and printed on the machine.

DANGER!

Electrical shock



Always connect the machine to correct voltage. It will lead to electrical shock or burned and may cause serious consequences if connecting to incorrect or improper voltage.

WARNING!

Risk of electrocution



Always connect the machine to a protected circuit and ensure it is properly grounded to avoid risk of electrocution.

※ **Damage caused by the disregard of this user manual are not subject to warranty. Antari and its dealer will not accept liability for any resulting defects or problems.**

2.1 Installation

- Keep this device dry. This machine is not waterproof. Do not expose the machine to water splashes.
- Place the machine on a flat surface. Installed in a well ventilated area. Provide at least 50 cm space

around the machine.

- Make sure there are no flammable materials close to the machine while operating. Never add flammable liquid of any kind to the machine.
- Before connecting the machine to power, always check the voltage indicate on the machine matches to your local AC voltage. Do not use the machine if AC power voltage does not match.
- If the supply cord is damaged, it must be replaced by a special cord or assembly available from your local Antari dealer for replacement.
- No user serviceable and modifiable parts inside. Never try to repair this product, an unauthorized technician may lead the machine to damage or malfunction.
- This product is for indoor use only! Do not expose to rain or moisture. If fluid is spilled, disconnect AC power and clean with a damp cloth. If fluid is spilled onto electronic parts, immediately unplug the machine and contact your local Antari dealer for advice.
- Only use Antari fluid. Other fluid may lead to heater clog and malfunction.
- Pay attention to all warning labels and instructions on the machine before operation.

2.2 Operation

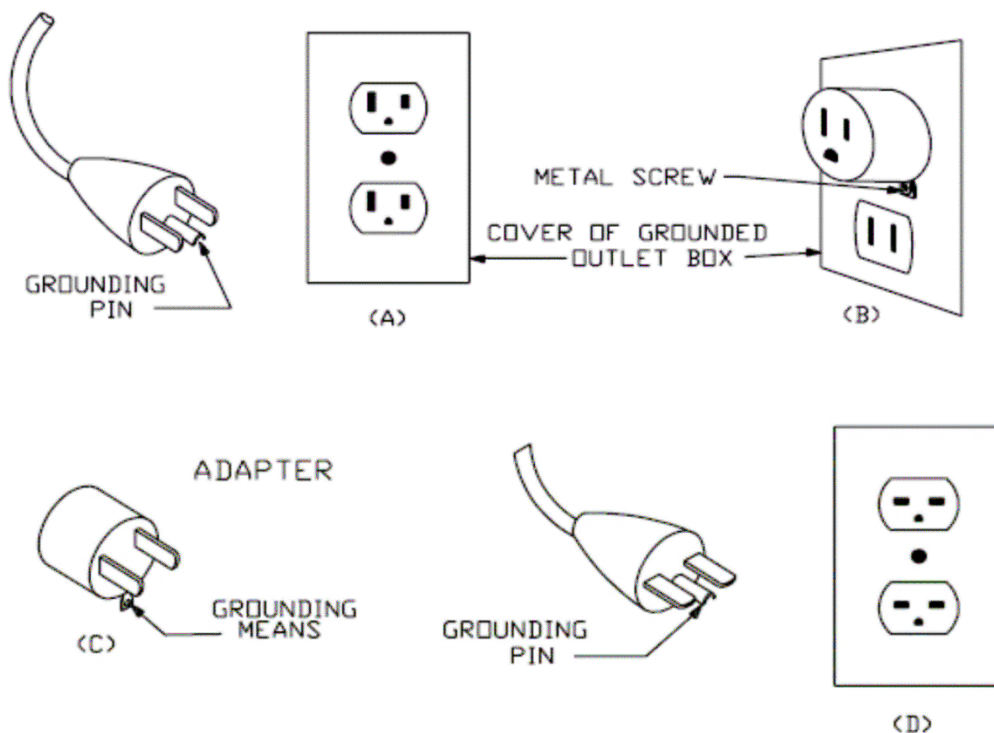
- Do not operate the machine with bundled power cables. It could be a fire hazard.
- Do not operate the machine in an area with unstable voltage. This may burn out internal components and cause machine fail to work.
- Do not use the machine against human, animal or flame. Make sure there are no flammable materials close to the machine.
- For adult use only. The machine is not to be used by persons (including children) with reduced physical, sensory or mental capabilities, or lack of experience and knowledge. Never leave the machine running unattended.
- Children being supervised not to play with the machine.
- Area of fog output is very hot. Please keep at least 50 cm distance from the output nozzle during operating.
- If you hear a strange sound or experience machine fails to work, stop use it immediately. Turn off and unplug the machine, and contact your local Antari dealer for service.
- Turn off and unplug the machine while it's not in use.
- Make sure the machine is turned off before unplug it.
- Do not use the machine upside down or tilt it. It may damage the machine and make it malfunction.
- Before transporting the machine, make sure the fluid tank is completely drained.
- Fluid for the machine may present health risks if swallowed. Do not drink fluid. Store it securely. In case of eye contact or if fluid is swallowed immediately look for medical advice.
- Be sure to unplug the machine before filling fluid.
- If the machine fails to work, unplug the machine and stop operation immediately. Contact your local Antari dealer for help.

2.3 Grounding Instruction

This appliance must be grounded in the event of malfunction or breakdown, grounding provides a path of least resistance for electric current to reduce the risk of electric shock. This appliance is equipped with a cord having an equipment-grounding conductor and a grounding plug. The plug must be plugged into an appropriate outlet that is properly installed and grounded in accordance with all local codes and ordinances.

DANGER – Improper connection of the equipment-grounding conductor can result in a risk of electric shock. The conductor with insulation having an outer surface that is green with or without yellow stripes is the equipment-grounding conductor. If repair or replacement of the cord or plug is necessary, do not connect the equipment-grounding conductor to a live terminal. Check with a qualified electrician or servicemen if the grounding instructions are not completely understood, or if in doubt as to whether the appliance is properly grounded. Do not modify the plug provided with the appliance. If it will not fit the outlet, have a proper outlet installed by a qualified electrician.

This appliance is for use on a nominal 120V circuit and has a grounding plug that looks like the plug illustrated in sketch A in Figure 73.1. A temporary adaptor, which looks like the adaptor illustrated in sketches B and C, may be used to connect this plug to a 2 pole receptacle as shown in sketch B if a properly grounded outlet is not available. The temporary adaptor should be used only until a properly grounded outlet can be installed by a qualified electrician. The green colored rigid ear, lug, and the like, extending from the adaptor must be connected to a permanent ground such as a properly grounded outlet box cover. Whenever the adaptor is used, it must be held in place by the metal screw.



3. Package Items

Immediately upon receiving the machine, carefully unpack the carton, check the content to ensure that all parts are present and have been received in good condition. If any parts appear damaged or mishandled from shipping, notify the shipper immediately and retain the packing material for inspection.

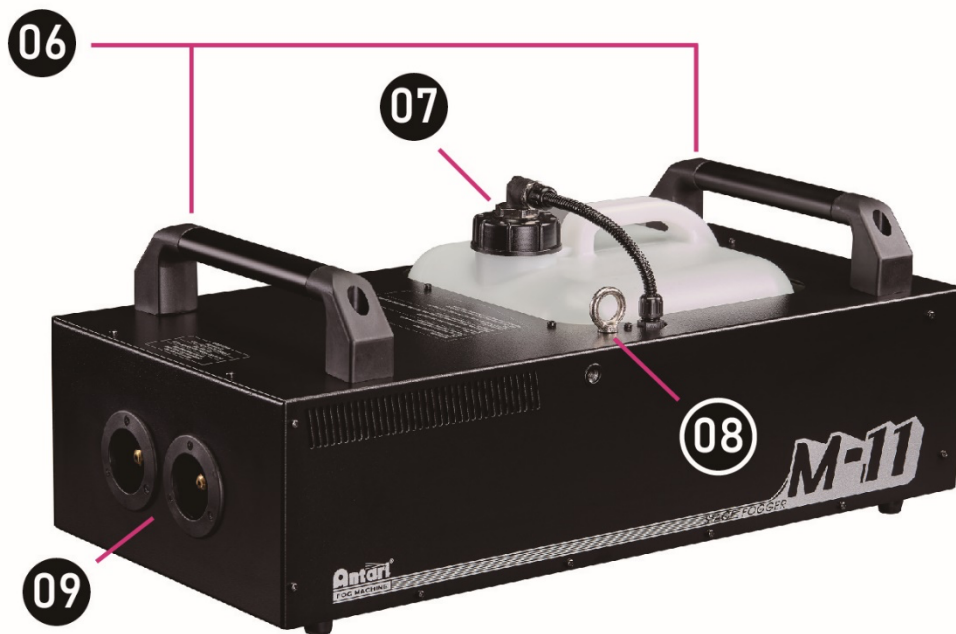
3.1 Standard Package

- 1 x M-11 Fog Machine
- 1 x Neutrik TRUE 1 Power Cord
- 1 x User Manual or scan QR code on technical label

3.2 Optional Accessories

Item Code	Description
WTR-20	Wireless Control Module (W-2 Transmitter & W-2 Receiver)
TIMO-W-DMX-PCBR	Wireless DMX PCB & Wireless DMX Receiver (supports both CRMX and W-DMX protocols)
TIMO-WTR-70	- W-2 Wireless Transmitter - 2 in 1 Receiver (W-2 & Wireless DMX Receiver) - Wireless DMX PCB (supports both CRMX and W-DMX protocols)

4. Product Overview



01. Wireless Receiver	06. Handle
02. XLR 3-Pin & 5-Pin DMX	07. 10-Liter Fluid Tank
03. Neutrik TRUE 1 Power Cord Connector	08. Safety Ring
04. Two in One power & breaker switch	09. Fog Output Nozzle
05. Two rotary knobs (Timer / Volume)	

5. Technical Label Information

Read the information on the technical label before operation.

Technical label is attached on one side of control panel.



- 1. Model Name
- 2. Input Voltage
- 3. Frequency
- 4. Rated Power

- 5. Breaker
- 6. QR CODE for User Manual
- 7. Serial No.

6. Fluid



CAUTION!

Always disconnect from the mains before filling the machine. Never add flammable liquids. If fluid gets inside the machine, please contact your local Antari dealer for service.

Only use Antari designated fluid for the Antari Fog Machine. The machine is tested and calibrated with this liquid to get the best output performance. Warranty will be void if any other type of liquid is used, improper use of liquid may lead to machine failure and malfunction.

7. Setting Up



CAUTION!

Risk of injury caused by falling objects.

Make sure installation location, fastening connecting and rigging hardware can hold at least 10 times the weight of the machine.

Make sure that the machine is installed securely and cannot fall down.

It will cause severe injuries if the machine falling down.

Step 1. Place the machine on a flat surface and in a suitably large area with at least 50 cm open space

around the machine.

Step 2. Fill the fluid tank with Antari approved fluid.

Step 3. Connect the machine to a suitably rated power supply. To determine the power requirement for the machine, refer to the label on the back of the machine.

Step 4. Turn on the machine, Heat up takes approximately 13 minutes. Once the machine has reached operating temperature, the LCD display will show “Ready To Fog”. Now the machine is ready for operation.

Step 5. To start making fog, please press the [VOLUME] knob on the right side of control panel. To stop making fog, please press the [VOLUME] knob again.

Step 6. To turn off the machine, press the [VOLUME] knob to stop fogging and put the power switch to the OFF position. If not in use for a while, please have power cord off the machine.

8. Operation

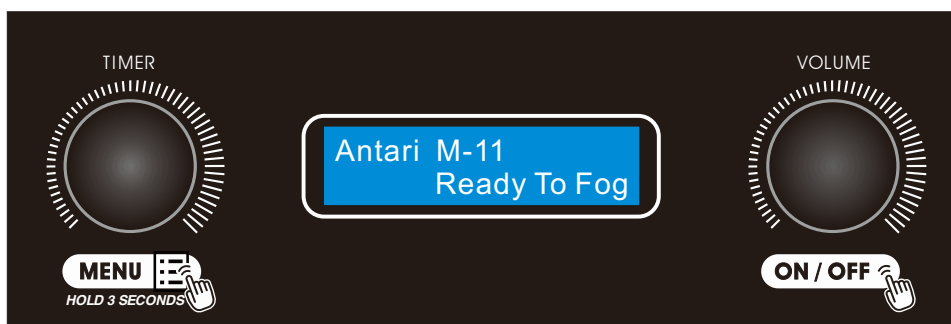
M-11 Fog Machine can be operated in the following modes. The machine can accept 1 kind of signal at 1 time. When using different control modes at the same time, the machine will work according to built-in control priority:

- Wireless DMX (Optional)
- DMX512
- Wireless Remote (Optional)
- Manual

Please see the following pages for instructions on your choice of operation.

8.1 Control Panel Operation

M-11 fog machine can be operated with the onboard digital control interface.



Operation - Volume Mode

Rotary knob	Action	Description
Right (VOLUME knob)	Press once	Activate / Deactivate volume mode
Right (VOLUME knob)	Rotate	Adjust output volume
Right (VOLUME knob)	Press continuously	Activate 100% fog output Activate priming fluid

Operation - Timer Mode

Rotary knob	Action	Description
Left (TIMER knob)	Press once	Activate timer mode
Right (VOLUME knob)	Press once	Deactivate timer mode
Right (VOLUME knob)	Rotate	Adjust output volume
Right (VOLUME knob)	Press continuously	Activate 100% fog output Activate priming fluid

Setting

Rotary knob	Action	Description
Left (TIMER knob)	Press and hold for 3 seconds	Enter setting menu
Left (TIMER knob)	Rotate	Scroll through menus
Left (TIMER knob)	Press	Press once to enter
Left (TIMER knob)	Rotate	Adjust for preferred value
Right (VOLUME knob)	Press once	Return to last page

8.2 Control Menu

Main Menu	Item	Description
DMX	Address	001-512
	Channel Mode	1 Channel / 3 Channel
	Link Mode	Wired/Wireless
	W-DMX	Unlink
Timer	Interval	5 – 200 sec
	Duration	1 – 200 sec
	Output Level	1 – 100%
Manual	Output Level	1 – 100%

	Priming	Start / Stop
	Heater	On / Off
Information	Software Version	v1.2
	Wireless Signal	●: Wireless DMX present ◎: No DMX present ⊙: Link to TX lost ○: Not assigned
	Fluid Level	Fine / Empty
	Device Hour	XX Hour Accumulated running time
Setting	Continuous Output	On / Off
	Pump Mode	Single / Dual
	Wireless Remote	Pair / Unpair
	Fluid Sensor	On / Off
	LCD Backlight	Auto Off / Low / Normal
	Keypad Sound	On / Off
	Auto Start	On / Off
	Factory Reset	Proceed
	Language	EN / 中文 (Chinese)
	Fluid Option	FLG / FLY / FLZ / FLR

9. Machine Status Message

Screen	Description
Antari M-11 v1.2	Software Version
AC Voltage AC-120V 60Hz	Input Voltage
Antari M-11 PWS Ready To Fog	Machine is ready to Operate W: Wireless On S: Fluid Sensor On P: Wireless DMX On
Antari M-11 PWS Heating Off	Heater Off
Manual Output 100%	Fog Output level at Manual Mode
Interval 200 sec Duration 200 sec	Running at Timer mode, Interval time Running at Timer mode, Duration time

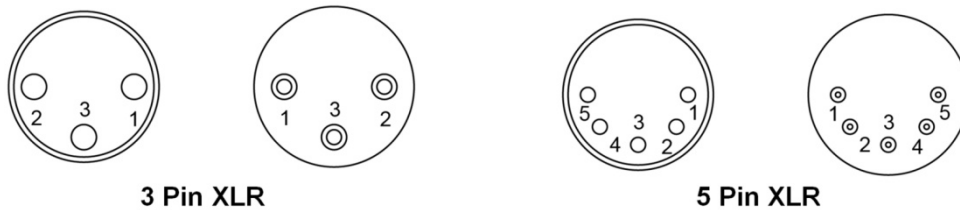
DMX-512 Add: XXX	Current DMX 512 channel
Manual Priming	Priming Fluid
Power off 180 sec	Power Off, countdown 180 sec
Sleeping	Sleeping
Warming Up 10 %	Heating up
Empty Fluid	No fluid. Please refill the fluid tank and then press [VOLUME] knob continuously to prime fluid from the tank.
Wrong! Heater Overheat!	Heater is over heat, unable to operate. Please contact your local Antari dealer for assistance.
Warning! Temp Error	Heater temperature is abnormal, unable to operate. Please contact your local Antari dealer for assistance.

If LCD display “Warning”, please stop operating and turn machine off immediately. Please contact your local Antari dealer for advice and assistance.

10. DMX Connection

10.1 DMX Connector Pin Assignment

The machine provides both 3 and 5-pin XLR connector for DMX connection. The diagram below indicates pin assignment information.



1	Ground
2	Data-
3	Data+
4	N/A
5	N/A

The cap on the DMX IN port is a protection cover. Please remove it with your finger before operation.



10.2 DMX Channel Function

1 Channel Mode		DMX Value Range	Function
Channel 1	Fog Output Level	0 – 4	Off
		5 – 255	1 – 100%
3 Channel Mode		DMX Value	Function
Channel 1	Fog Output Level	0 – 4	Off
		5-255	1 – 100%
Channel 2	Heater	0-126	Heater Off
		127-255	Heater On
Channel 3	Pump	0 – 126	Single
		127-255	Dual

11. RDM Function

The M-11 fog machine is RDM enabled, allowing control system to configure, monitor and manage. See below table for supported RDM parameters.

GET Allowed	SET Allowed	Category 類別	RDM Parameter ID's (Slot 21-22)	Value	Required
		Network Management 網路管理	DISC_UNIQUE_BRANCH	0x0001	○
			DISC_MUTE	0x0002	○
			DISC_UN_MUTE	0x0003	○
○			QUEUED_MESSAGE	0x0020	

○		RDM	STATUS_MESSAGES	0x0030	
○		Information	SUPPORTED_PARAMETERS	0x0050	○
○		RDM 資訊	PARAMETER_DESCRIPTION	0x0051	○
○		Product Information 產品資訊	DEVICE_INFO	0x0060	○
○			PRODUCT_DETAIL_ID_LIST	0x0070	
○			DEVICE_MODEL_DESCRIPTION	0x0080	
○			MANUFACTURER_LABEL	0x0081	
○	○		DEVICE_LABEL	0x0082	
○			LANGUAGE_CAPABILITIES	0x00A0	
○	○		LANGUAGE	0x00B0	
○			SOFTWARE_VERSION_LABEL	0x00C0	○
○	○	DMX512 Setup DMX512 設定	DMX_PERSONALITY	0x00E0	
○			DMX_PERSONALITY_DESCRIPTION	0x00E1	
○	○		DMX_START_ADDRESS	0x00F0	○
○		Sensors 感應器	SENSOR_DEFINITION	0x0200	
○	○		SENSOR_VALUE	0x0201	
○		Control 控制	DEVICE_HOURS	0x0400	
○	○		IDENTIFY_DEVICE	0x1000	○

12. WTR-20 Wireless Control Operation (Optional)

WTR-20 Wireless Control Module (Transmitter & Receiver) is an optional accessory for M-11 Fog Machine. Please unscrew the receiver's cover, and then install the W-2 Receiver before registration.

12.1 W-2 Wireless Transmitter & Receiver

- Battery : 27A 12V
- Effective distance : In a free open space, the effective distance is about 50 meters, actual usage depends on obstacle level; the effective distance varies.
- W-2 Wireless remote control system equipped with 4 buttons, each function is:

Button	Function
[A]	Turn on M-11 Fog machine
[B]	Turn off M-11 Fog machine
[C]	Increase fog output
[D]	Decrease fog output



W-2 Wireless Transmitter



W-2 Wireless Receiver

12.2 Registering a Transmitter

- Transmitter can be paired or deleted from the receiver.
- Each receiver can pair up to 5 transmitters.
- Follow below steps to pair or delete transmitter.

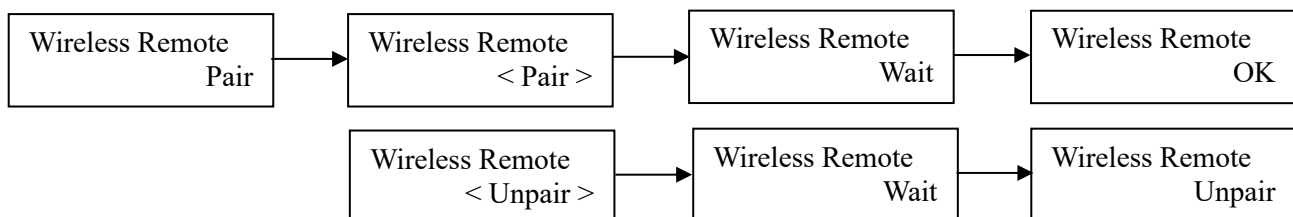
Step 1. Press and hold the left rotary (TIMER) knob for 3 seconds to enter setting menu.

Step 2. Rotate the TIMER knob to [Setting] menu.

Step 3. Rotate the TIMER knob to [Wireless Remote]

Step 4A. Press the TIMER knob to show [Pair], please press it again to show [Wait], then please press [button A] of your W-2 Wireless Transmitter and wait display shows [OK] to complete the pair procedure.

Step 4B. Press the TIMER knob to show [Unpair], please press it again to show [Wait] and then shows [Unpair] to complete the unpair procedure.



12.1 WTR-20 Installation

Please unscrew the receiver's cover, and install the Receiver. Connect it to the wire harness firmly shown as below photo and then screw it the panel.

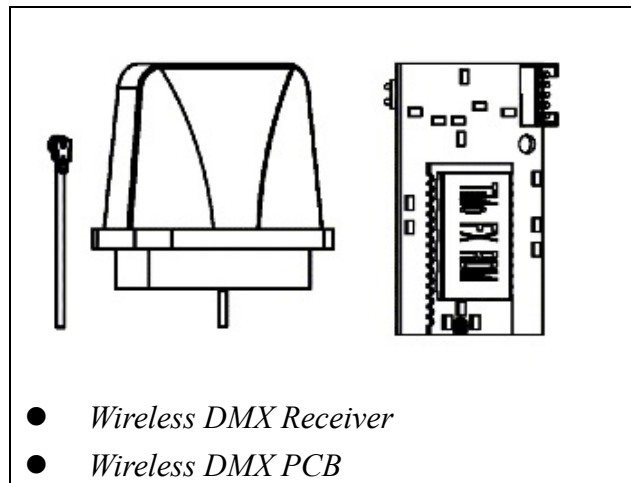


13. Wireless DMX Operation (Optional)

The wireless DMX module supports both CRMX and W-DMX protocols

13.1 TIMO-W-DMX-PCBR (Optional)

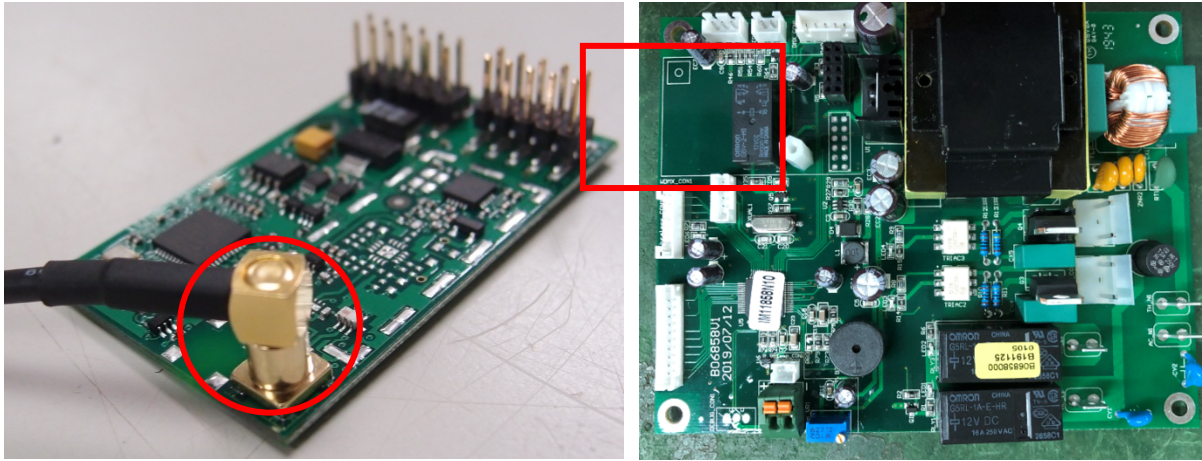
It includes a Wireless DMX PCB and a Wireless DMX Receiver.



13.2 Installation Steps

Connect the receiver's cable with Wireless DMX PCB and then install the W-DMX-PCB onto the main PCB circled in red below.

Please make sure the Wireless DMX PCB pins are firmly installed attached with M-11 main PCB. If you encountered any problems, please contact your local Antari dealer for advice and assistance.



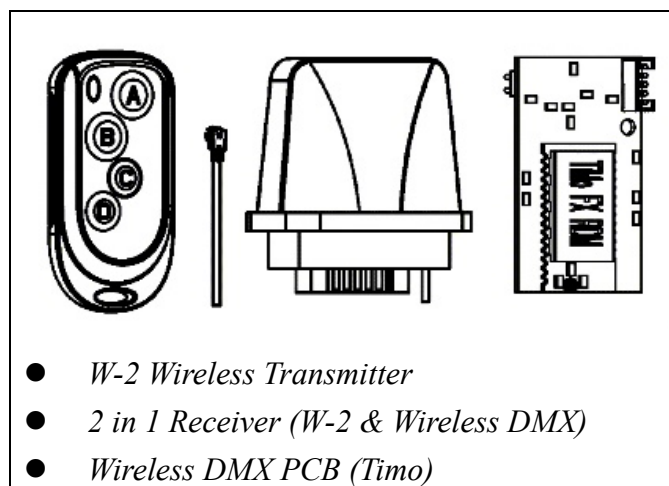
13.3 Status of Wireless DMX

Signal on LCD display	Wireless DMX status
○	W-DMX present
⊙	No DMX present
◉	Link to TX lost
●	Not assigned

14. Two in One Wireless Remote & Wireless DMX (Optional)

14.1 TIMO-WTR-70 (Optional)

WTR-70 includes a W-2 Wireless Transmitter, a 2 in 1 Receiver and a W-DMX-PCB.



14.2 Installation Steps

Please refer to 12.3 and 13.2 installation steps. If you encountered any problems, please contact your local Antari dealer for advice and assistance.

15. Service and Maintenance



DANGER!

Disconnect from mains before starting maintenance operation!

- Do not allow the machine to become contaminated.
- Remove dust from air vents with air compressor, vacuum or a soft brush.
- Only use a damp cloth to clean the casing.
- Please allow machine to cool completely before storing to prevent condensation and potential malfunction.
- It is recommended to run the machine on a monthly basis in order to achieve best performance and output condition.
- Excessive dust, liquid and dirt built up will degrade performance and cause overheating.

Breaker Reset

The two in one power switch combines power and breaker function. Please follow below steps to reset the breaker.

Step 1: Please have the switch to OFF position.

Step 2: Wait 60 seconds.

Step 3: Flip switch to ON position.

If the breaker (switch) still jumps off after reset, please contact your local Antari dealer for advice and assistance.

Breaker

100-120V = 15A 250V

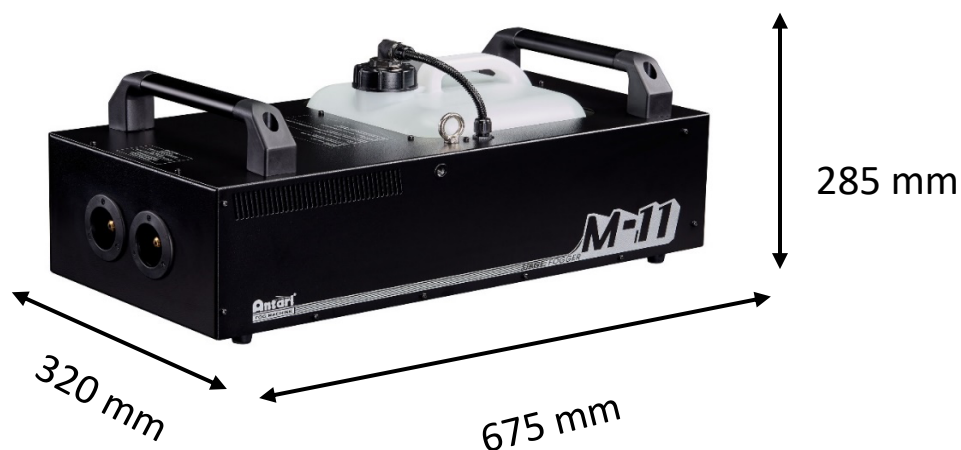
220-240V = 9A 250V



16. Technical Specifications

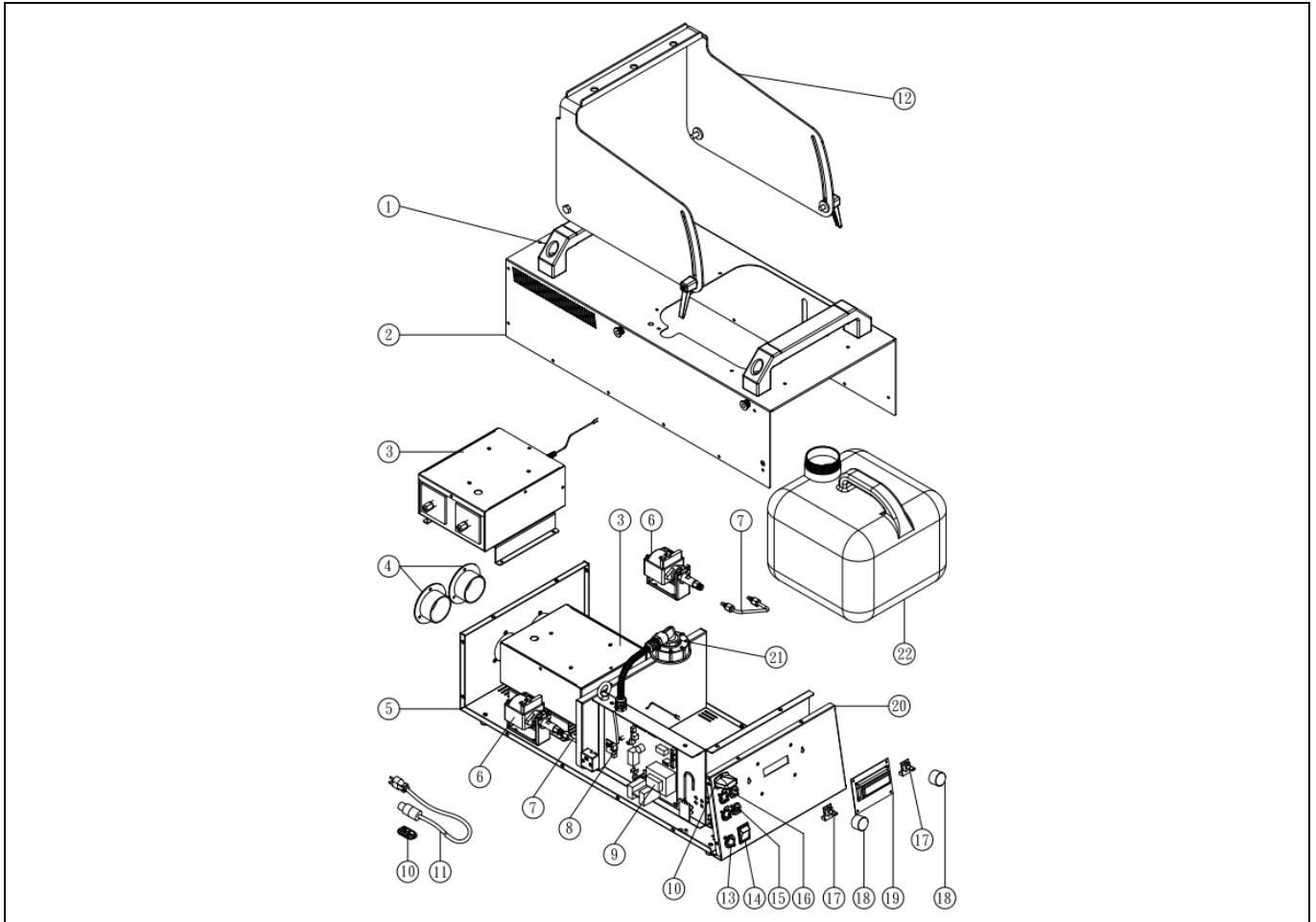
M-11	
Input voltage	US model : AC 100-120V, 50/60Hz 13.3A EU model : AC 220-240V, 50/60Hz 6.67A
Rated power	1600W
Warming-up Time	13 minutes (approx)
Fluid consumption	400 ml/min (100% output)
Fluid tank capacity	10 Liters (2.64 gallon)
Compatible fluid	Antari FLG Heavy Fog Fluid Antari FLR Light Fog Fluid Antari FLH Super Fog Fluid Antari FLZ Long Hang Time Fog Fluid
Ambient temp/ range	5°C – 40°C (41°F – 104°F)
Control	Manual, Timer, DMX 512, Wireless (Optional), Wireless DMX (Optional)
DMX channels	1 or 3 channels
Connection	Neutrik Powercon (Power) XLR 3pin and 5-pin (DMX)
Optional accessories	WTR-20 Wireless Remote TIMO-W-DMX-PCBR Wireless DMX TIMO-WTR-70 Wireless DMX and Remote
Dimension	L 675 W 320 H 285 mm (L 26.57 W 12.6 H 11.22 inch)
Weight	25 kg (55.1 lbs)

17. Machine Dimension



18. Exploded diagram

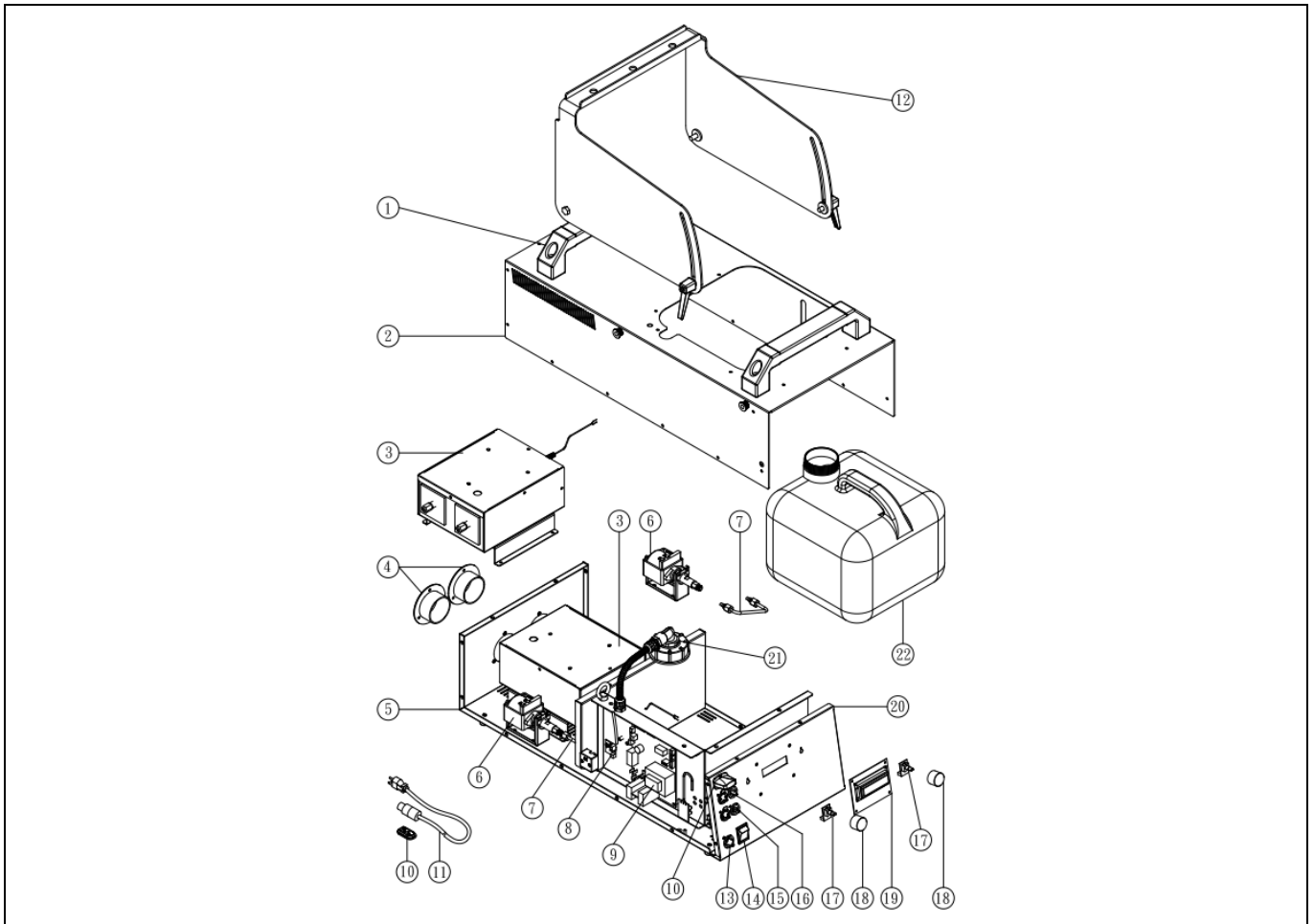
18.1 AC-120V



SPARE PARTS OF M-11

1	M-11-HL	Handle	12	M-11-HB	Hanging Bracket (Group) (Optional)
2	M01100H01	Steel Case	13	C04312610	Power Inlet
3	M-11-H	Heater (Group)(120V)	14	C04000100	Rocker Switch/Power
4	C02006000	Plastic Nozzle	15	M-11-PCBD5 (DMX5P00A5)	P.C Board DMX 5Pin
5	M0110LL01	Steel Case	16	M-11-PCBD3 (DMX3P00AB)	P.C Board DMX 3Pin
6	M-11-P (PA0EX5A30)	Pump (Group)(120V)	17	B06721A00	Rotary Encoder
7	M-11-CP	Brass Tube	18	C04006500	Control Knob
8	M-11-PCBS (PCBS13340)	Optical Liquid Sensing	19	M-11-PCBC	Control P.C Board
9	M-11-PCB	Main P.C Board(120V)	20	M01100L00	Steel Case
10	WTR-20A	Wireless (Optional)(315MHZ)	21	M-11-TKC (TKC3A17AC)	Tank Cap (Group)
11	M-11-PC (PCA014204)	Power Cord & Plug(US plug)	22	M-11-TK (TK0210000)	Tank

18.2 AC-230V



SPARE PARTS OF M-11

1	M-11-HL	Handle	12	M-11-HB	Hanging Bracket (Optional)
2	M01100H01	Steel Case	13	C04312610	Power Inlet
3	M-11E-H	Heater (Group)(230V)	14	C04000100	Rocker Switch/Power
4	C02006000	Plastic Nozzle	15	M-11-PCBD5 (DMX5P00A5)	P.C Board DMX 5Pin
5	M0110LL01	Steel Case	16	M-11-PCBD3 (DMX3P00AB)	P.C Board DMX 3Pin
6	M-11E-P(PE0EX5A30)	Pump (Group)(230V)	17	B06721A00	Rotary Encoder
7	M-11-CP	Brass Tube	18	C04006500	Control Knob
8	M-11-PCBS (PCBS13340)	Optical Liquid Sensing	19	M-11-PCBC	Control P.C Board
9	M-11E-PCB	Main P.C Board(230V)	20	M01100L00	Steel Case
10	WTR-20E	Wireless (Optional)(433MHZ)	21	M-11-TKC (TKC3A17AC)	Tank Cap (Group)
11	M-11E-PC(PCE015204)	Power Cord & Plug(EU plug)	22	M-11-TK (TK0210000)	Tank



中文使用說明書

1. 前言

使用本產品之前，請務必詳加閱讀此說明書後正確使用。

請將本說明書放置在產品使用者可隨時查閱之處存放。

如果您有任何使用上的問題，請聯繫當地的 Antari 經銷商尋求清楚的說明與協助。

2. 安全注意事項



注意!

在使用機器以前，請仔細閱讀以下說明，此份說明書包含了如何在安全的情況下安裝使用機器，且會說明機器上所有標示的標籤所代表的意義。



危險!

請務必使用正確電壓，使用危險電壓，您在接觸電線時可能會遭受危險的電擊！



警告!

請務必將機器連結到有保護的電路，並確保有正確地接地，以避免觸電的危險。

※ 因忽視本使用手冊而造成的損壞不在保修範圍內。經銷商將不對由此產生的任何損壞或問題承擔任何責任。

2.1 安裝時

- 保持機器乾燥，此機器不防水，請勿使其遭水潑濺。
- 請在穩定且堅固、通風良好及週邊無存放及使用可燃性氣體或易燃物質的地方安裝及使用機器，勿遮蓋機器散熱部份，機器周邊至少應保留 50 公分的空間。
- 在插入電源插座前，請確認電源插座無損壞或鬆動，插座電源規格與機器電壓規格是否相符，電源插頭是否清潔與乾燥，確認電源線外觀無破損、扭擰、變形，請配合接地型插座，以避免觸電及火災的危險。
- 若電源線損壞，必須使用製造商或是其代理商提供的原廠電源線或組件進行更換。
- 請勿隨意拆卸、修理、改造機器，可能導致機器故障、損壞及造成火災或觸電危險。
- 請在使用機器之前，先填裝好液體，以避免機器幫浦空轉過熱造成損害，機器使用完畢及搬

運前，請先確認清空油桶。

- 本產品僅限室內使用，請勿將機器暴露在雨中或潮濕的環境，本產品非防水設計，遇潮濕、浸水或液體滲入時，請即刻拔掉插頭並以乾布擦拭乾淨後靜置，請勿連結機器與 AC 電源，請連繫您當地的 Antari 經銷商進行檢修。
- 為確保機器的使用壽命，請依照 Antari 原廠建議使用液體，勿使用其它非 Antari 原廠液體及添加物，否則可能會導致電熱管阻塞和機器故障。
- 在使用本機之前，請詳細的閱讀一次印刷在機器上的警語標示，機器上的警語標示說明如下：

上蓋印刷

WARNING! 警告!

HOT NOZZLE! 出煙口高溫!

KEEP AT LEAST 1 METER DISTANCE 請保持至少 1 米的距離

LIQUID

ONLY USE MANUFACTURER DESIGNATED FLUID. 僅使用原廠認可的液體

ATTENTION! 注意!

NEVER ADD FLAMMABLE SUBSTANCES. 切勿添加易燃物質。

後蓋印刷

WARNING! 警告!

DISCONNECT POWER BEFORE CHANGING FUSE. 更換保險絲前請務必斷開電源。

USE ONLY WITH ADULT SUPERVISION. 僅在成人監督下使用。

DO NOT OPERATE WITHOUT LIQUID. 請勿在沒有液體的情況操作本機台。

FOR INDOOR USE ONLY. KEEP DRY. 僅限室內使用。請保持乾燥。

NO USER SERVICEABLE PARTS INSIDE. 內部無維修用之零備件。

2.2 使用時

- 請勿在捆綁電源線的情況下使用，可能會發熱導致火災。
- 請勿在電壓不穩定的地區使用，可能導致機器不正常動作或機器內部元件燒毀。
- 操作機器時請勿將機器對著人體、動物、火焰使用，並請確認機器周邊勿存放及使用可燃性氣體或易燃物質。
- 機器限有行為能力之成人或專業人員操作，身體、感官或精神能力下降或缺乏經驗和專業知識的人（包括兒童）不得使用本設備，請勿在無人值守時讓機器運作，請於外出離去時確實關閉電源。
- 孩童應受監管，不能操作、嬉戲以及把玩本設備。
- 煙霧機所產生的煙霧溫度較高，機器工作時，請遠離噴嘴 50 公分以上。
- 如果機器出現異常聲音或有任何不正常現象時，請立即停止工作，請將電源關閉及拔下機器插頭，並請連繫您當地的 Antari 經銷商。
- 不使用時請關機或請拔掉插頭，長時間不使用時請拔掉插頭。
- 移除機器及 AC 電源插座前，請確認機器已關機不在使用的狀態下。
- 請勿將機器放倒或傾斜使用，可能導致機器動作不正常或損壞。
- 請記得在運送本產品前，確認機器的油箱已清空並且包裝完整(建議以原包裝)。

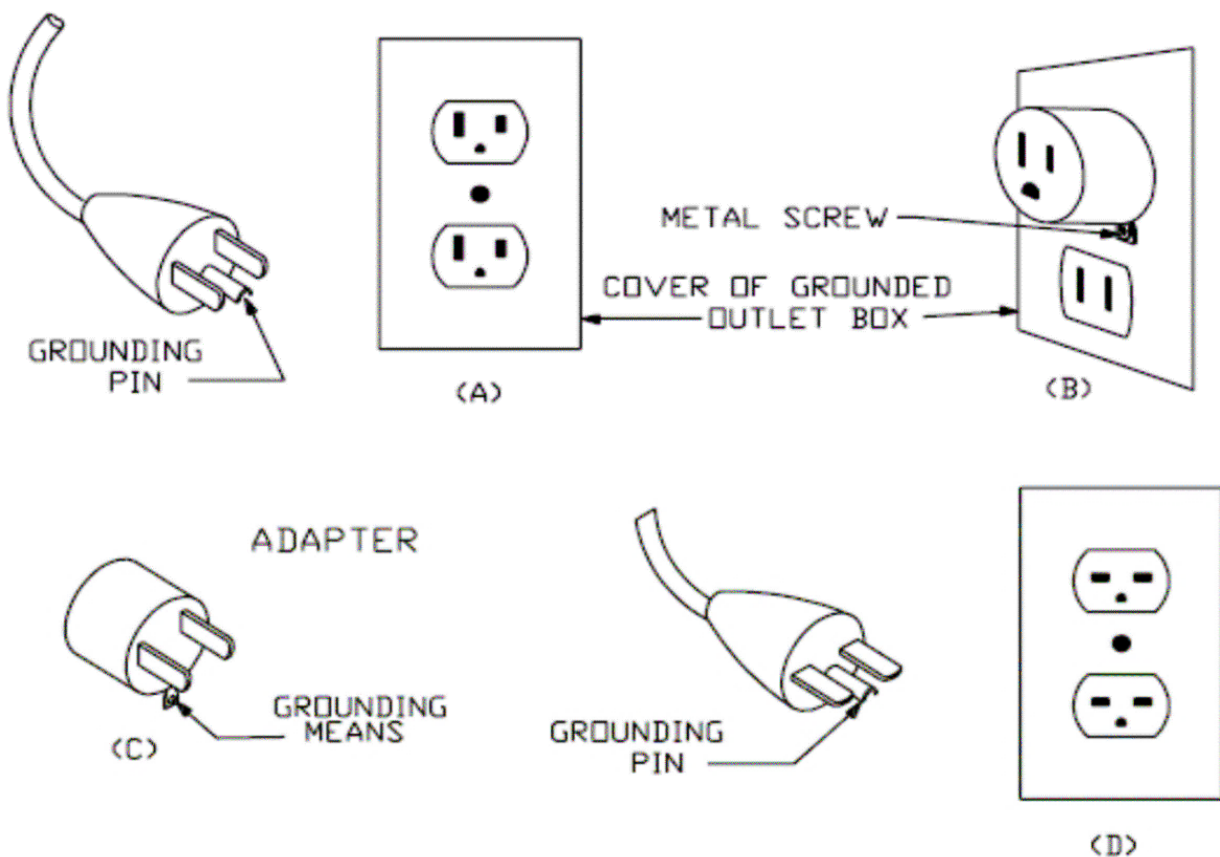
- 機台所使用的液體不能食用，吞食液體可能導致損壞健康的風險，請將液體存放在室內安全的地方。如果碰觸到眼睛或誤吞食，請立即尋求醫生的協助。
- 填充液體前，請務必先拔掉插頭。
- 如果您有任何使用上的問題，請聯繫當地的 Antari 經銷商尋求清楚的說明與協助。

2.3 接地說明

本設備必須正確接地，在發生故障或損壞時，接地為電流提供了一條電阻最小的路徑，以降低觸電的風險。本設備配有接地電源線，並且必須插入適當的接地插座，該插座已根據所有當地法規和條例正確安裝和接地。切勿折斷或移除接地插腳。

危險：若設備接地導體連接不當可能導致觸電危險。本設備接地導體外表面為綠色、帶或不帶黃色條紋的絕緣導體。如果需要修理或更換電源線或插頭，請勿將設備接地導體連接到帶電端子。如果不清楚接地說明，或者對本設備是否正確接地有疑問，請諮詢合格的電工或維修人員。請勿修改設備隨附的插頭。如果不適合插座，請由合格的電工安裝合適的插座。

本設備的電源線帶有一個接地插頭，請將插頭插入下圖中的圖 A 和圖 D 中所示的 2+1 孔插座。如果沒有接地的插座，可以使用一個類似於圖 C 中所示的轉接頭，將此轉接頭連接到圖 B 中的 2 孔插座。無論何時使用轉接頭，都必須用金屬螺絲將其固定到位，避免鬆脫。只有在合格的電工可以安裝正確接地的插座之前，才能使用臨時轉接頭。電源插頭伸出的接地導體必須連接到永久接地插座。插座必須要有盒蓋保護。



3. 包裝內容

在收到機器後，請立即小心地打開包裝紙箱，檢查所有內容，確認您所購買的機型及配件，如果有任何部件因運輸過程出現損壞或缺少，請立即連絡經銷商，並以原包裝退回檢查。

3.1 標準包裝

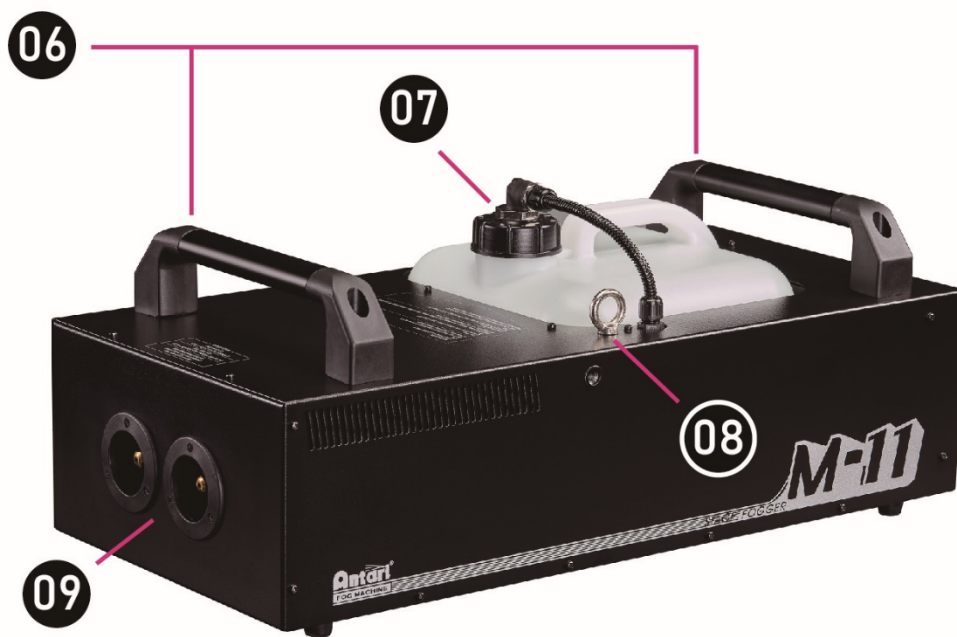
- 1 台 M-11 煙霧機
- 1 條 PowerCon True 1 電源線
- 1 本 使用手冊或掃描機身 QR CODE

3.2 選配說明

品項	描述
WTR-20	無線控制模組 (W-2 無線發射器和 W-2 無線接收器)
TIMO-W-DMX-PCBR	無線 DMX PCB 和 無線 DMX 接收器 (支援 CRMX 以及 W-DMX 協議)
TIMO-WTR-70	無線控制暨無線 DMX 模組，含 <ul style="list-style-type: none">- W-2 無線發射器- W-2 & W-DMX 二合一接收器- 無線 DMX-PCB

4. 機器外觀概述





01. 無線訊號接收器	06. 把手
02. XLR 3-Pin & 5-Pin DMX 連接座	07. 10 公升油桶
03. Neutrik TRUE 1 電源插座	08. 安全吊環
04. 二合一電源&斷路器開關	09. 噴煙口
05. 操作控制旋鈕	

5. 技術標籤資訊

使用本機台前，請詳閱技術標籤上的訊息



1. 機台型號
2. 使用電壓
3. 頻率
4. 瓦特數

5. 保險絲規格
6. 說明書 QR CODE
7. 機台流水序號

6. 液體使用

- 僅能使用 Antari 原廠該機型指定之液體，不可混用、稀釋，若因保存不當而變質或使用非原廠的液體，將可能導致機器故障並保固失效。
- 請勿混用液體，如需更換另一種液體使用前，請將油桶中的液體清空，以避免混合。



警告!

將液體加入機台之前，請務必斷開電源。請勿添加易燃液體。如果液體流入機台內部，請洽 Antari 原廠或其經銷商以做維修。

7. 機器安裝操作步驟



警告!

機台掉落可能會造成嚴重傷害。請確保本機台安裝牢固且不會掉落。

- 步驟1. 將機器平放於穩定且堅固的平坦的表面，機器周圍至少應保留 50 公分的空間。
- 步驟2. 使用 ANTARI 原廠專用液體注入機器所附的油桶，並注意不要拗折到油管。
- 步驟3. 將機器連接電源，連接之前，確認機器背後技術標籤上所標示要求功率，是否與電源相符。
- 步驟4. 啟動機器電源，使機器開始加溫。機器加溫到可工作溫度大約需時 13 分鐘。一但機器達到工作溫度，螢幕會顯示”Ready to Fog”。表示機器已經準備好可進行操作。
- 步驟5. 欲開始噴煙，按下控制面板上的 **VOLUME**；停止噴煙請按一下控制面板上的 **STOP**
- 步驟6. 需關閉本機時，請確認機器已停止運轉，再將電源開關關閉即可，長時間不使用時請移除電源線。

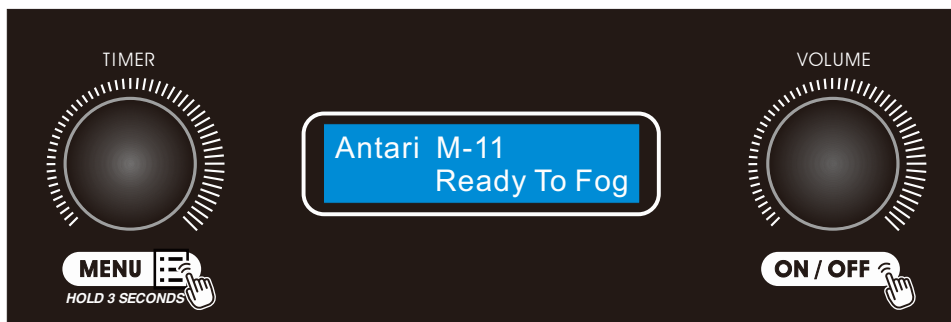
8. 操作說明

M-11 煙霧機可選用不同的方式控制，但一次僅能接收一種控制訊號，同時使用不同控制方式下，機器會按內建的控制優先權運作，優先順序如下：

- 無線 DMX (選配)
- DMX
- 無線控制器(選配)
- 手動控制

8.1 控制面板說明

左方為 TIMER 旋鈕，中間為液晶顯示器，右方為 VOLUME 旋鈕



噴煙模式

旋鈕	操作方式	動作
右方 VOLUME 旋鈕	旋轉	調整煙霧輸出量
右方 VOLUME 旋鈕	按一下	啓動/關閉 噴煙
右方 VOLUME 旋鈕	按住不放	啓動強制噴煙(100%輸出) 啓動強制抽油(無油時)

定時模式

旋鈕	操作方式	動作
左方 TIMER 旋鈕	按一下	啓動 TIMER 模式
右方 VOLUME 旋鈕	按一下	關閉 TIMER 模式
右方 VOLUME 旋鈕	旋轉	調整煙霧輸出量
右方 VOLUME 旋鈕	按住不放	啓動強制噴煙(100%輸出) 啓動強制抽油(無油時)

設定模式

旋鈕	操作方式	動作
左方 TIMER 旋鈕	按住約 3 秒鐘	進入設定選單
左方 TIMER 旋鈕	旋轉	瀏覽清單
左方 TIMER 旋鈕	按一下	確定
左方 TIMER 旋鈕	旋轉	調整數值
右方 VOLUME 旋鈕	按一下	返回前一頁

8.2 選單說明

主選單	選項	設定值
DMX	地址	001-512

	通道模式	1 / 3 通道
	鏈接模式	有線 / 無線
	W-DMX	配對模式
定時	間隔時間	5 – 200 秒
	啓動時間	1 – 200 秒
	定時輸出量	1 – 100%
手動	手動輸出量	1 -100%
	強制抽油	啓動
	加熱裝置	開啓 / 關閉
資訊	軟體版本	V X.X
	W-DMX 訊號	●: 無線 DMX 存在
		◎: 無 DMX 訊號
		⊙: 發射機不在
		○: 裝置未配對
	油量	正常 / 空油量
使用時間	X 小時	
設定	連續輸出	開啓 / 關閉
	油泵模式	單油泵 / 雙油泵
	無線遙控	配對 / 取消配對
	油量感應器	開啓 / 關閉
	LCD 背光	自動關閉 / 低 / 正常
	按鍵音	開啓 / 關閉
	自動啟動	開啓 / 關閉
	恢復原廠設定	執行
	語言選項	English / 中文
	煙霧水選項	FLG / FLY / FLZ / FLR

9. 機器狀態說明

面板畫面	說明
Antari M-11 軟體版本 v1.2	機種版本
AC Voltage AC-120V 60Hz	電源電壓
Antari M-11 PWS 噴煙就緒	噴煙預備中 W 代表 Wireless 無線控制功能已啓動。

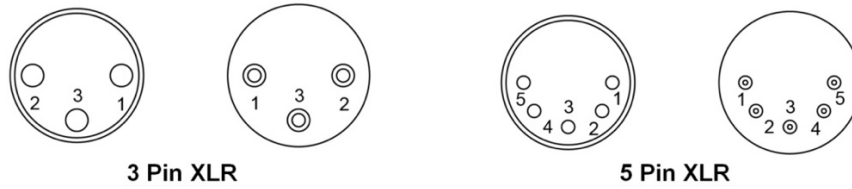
	S 代表 油量感應器功能已啓動。 P 代表 W-DMX 已啓動，左下角圖示代表目前 W-DMX 連接狀態， 詳細說明請參考
Antari M-11 PWS 加熱關閉	熱管關閉中
手動輸出量 100 %	手動噴煙執行中
間隔時間 200 秒 啟動時間 200 秒	定時噴煙執行
DMX512 地址 001	DMX 執行中
手動強制噴煙	強制抽油執行中
關閉電源 180 秒	休眠倒數：180 秒
休眠中	休眠中
機器加熱中 10 %	加熱中
無煙油	無液體，請先補充煙霧水至油桶後，再按住[VOLUME]鍵不放以啓動 強制抽模式至無煙油狀態消失。
警告! 機器過熱	機器偵測到電熱管過熱，無法操作，請與當地 Antari 經銷商聯繫， 尋求協助。
警告! 溫度異常	機器偵測到電熱管溫度異常，無法操作。請與當地 Antari 經銷商聯 繫，尋求協助。

控制面板出現警告的訊息，請立即停止操作機器並關閉電源之後，請與當地 Antari 經銷商聯繫，尋求協助。

10. DMX 說明

10.1 接點說明

本機可提供 5 PIN XLR 的 DMX 連接選擇。下為 PIN 的接點說明：



1	接地
2	數據-
3	數據+
4	NA
5	NA

DMX IN 端口上的蓋子是一個保護蓋，操作前，請用手指撥開即可輕鬆地將其取下。



10.2 DMX 通道功能

本機提供二種 DMX 通道模式可供選擇，請參考下方表單。

1 通道模式		DMX 數值範圍	功能
通道 1	煙霧輸出量	0-4	關閉
		5-255	1-100%
3 通道模式		DMX 數值範圍	功能
通道 1	煙霧輸出量	0-4	關閉
		5-255	1-100%
通道 2	電熱管控制	0-126	關閉
		127-255	啓動
通道 3	單/雙 幫浦控制	0-126	單幫浦輸出
		127-255	雙幫浦輸出

11. RDM 說明

M-11 配有 RDM 功能，讓使用者可以經由 DMX 網路使用 RDM 功能進行機台的設定、監控、管理。

RDM 支援參數

GET Allowed	SET Allowed	Category 類別	RDM Parameter ID's (Slot 21-22)	Value	Required
		Network Management 網路管理	DISC_UNIQUE_BRANCH	0x0001	○
			DISC_MUTE	0x0002	○
			DISC_UN_MUTE	0x0003	○
○		RDM Information RDM 資訊	QUEUED_MESSAGE	0x0020	
○			STATUS_MESSAGES	0x0030	
○			SUPPORTED_PARAMETERS	0x0050	○
○			PARAMETER_DESCRIPTION	0x0051	○
○		Product Information 產品資訊	DEVICE_INFO	0x0060	○
○			PRODUCT_DETAIL_ID_LIST	0x0070	
○			DEVICE_MODEL_DESCRIPTION	0x0080	
○			MANUFACTURER_LABEL	0x0081	
○	○		DEVICE_LABEL	0x0082	

○			LANGUAGE_CAPABILITIES	0x00A0	
○	○		LANGUAGE	0x00B0	
○			SOFTWARE_VERSION_LABEL	0x00C0	○
○	○	DMX512	DMX_PERSONALITY	0x00E0	
○		Setup	DMX_PERSONALITY_DESCRIPTION	0x00E1	
○	○	DMX512 設定	DMX_START_ADDRESS	0x00F0	○
○		Sensors	SENSOR_DEFINITION	0x0200	
○	○	感應器	SENSOR_VALUE	0x0201	
○		Control	DEVICE_HOURS	0x0400	
○	○	控制	IDENTIFY_DEVICE	0x1000	○

12. WTR-20 無線控制模組配對及操作說明 (選配)

WTR-20 無線發射器組包含一個 W-2 的無線接收器及 W-2 無線發射器，此為 M-11 的選配配件。若您採購的版本已含無線功能即已安裝至機器上，可直接使用；若是後續採購 WTR-20 在安裝時遇到困難，請與當地 Antari 經銷商聯繫，尋求協助。

12.1 W-2 無線發射器說明

- 發射器：使用 27A 12V 電池
- 接收距離：在無障礙物的開放空間，有效距離為 50 公尺。實際收訊狀況根據障礙物多寡及環境因素而有所不同。
- W-2 無線發射器配有 4 個按鈕，控制功能為：

按鈕	功能
[A] 鍵	啓動噴煙
[B] 鍵	關閉噴煙
[C] 鍵	增加煙霧輸出量
[D] 鍵	減少煙霧輸出量



W-2 無線發射器



W-2 無線接收器

12.2 無線功能配對說明

- 接收器能與發射器對頻及取消對頻。
- 每個接收器可以與最多 5 組發射器對頻。
- 請按照以下步驟來取消與對頻無線發射器。

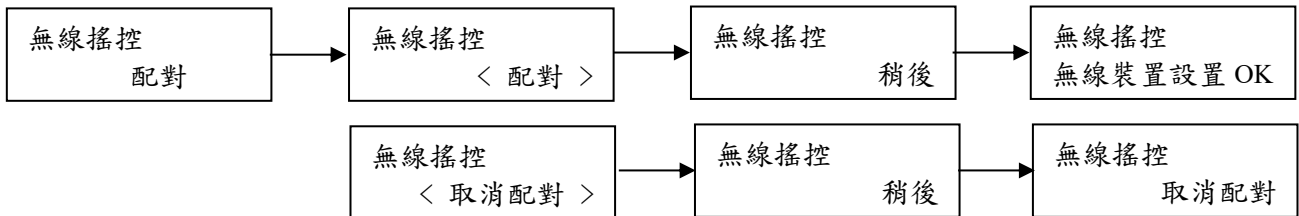
步驟 1：按住左邊 TIME 鍵 3 秒進入主選單。

步驟 2：旋轉 TIMER 鍵到[設定]，按下 TIMER 鍵進入設定選單

步驟 3：旋轉 TIMER 鍵到[無線搖控]

步驟 4A：按下 TIMER 鍵後旋轉待畫面出現[配對]，再按一次 TIMER 鍵會出現[稍後]，此時按下 W-2 無線發射器 A 鍵，待畫面顯示[無線裝置設置 OK]後，即完成本次對頻。

步驟 4B：按下 TIMER 鍵後旋轉待畫面出現[取消配對]，再按一次 TIMER 鍵會出現[稍後]，此時待畫面顯示[取消配對]，即完成本次取消配對。



12.3 WTR-20 安裝說明

安裝接收器時，需確認紅框處排線確實安裝在無線接收器上，在鎖附天線。

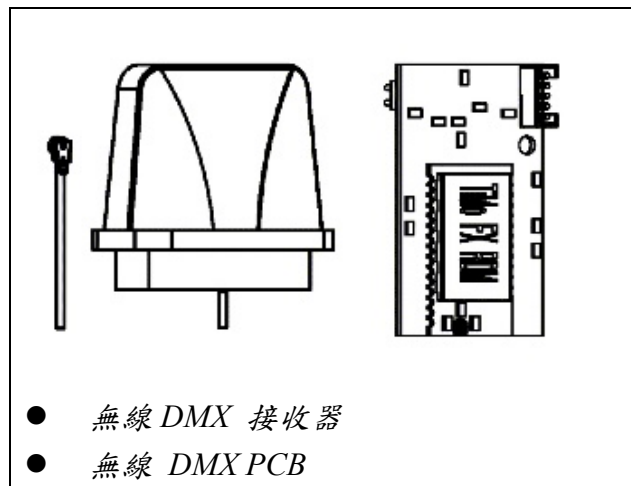


13. 無線 DMX 安裝說明 (選配)

本機選配的無線 DMX 模組可同時支援 CRMX 以及 W-DMX 協議

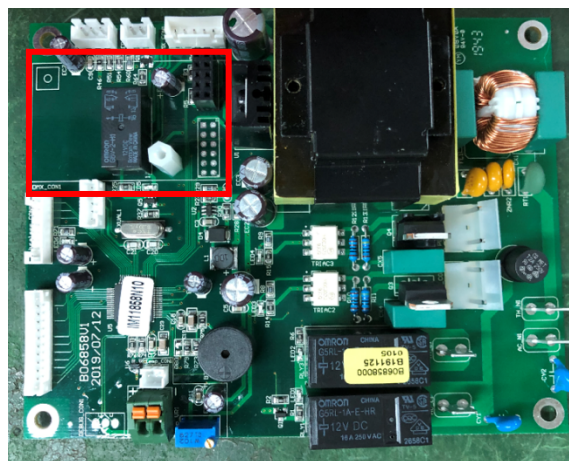
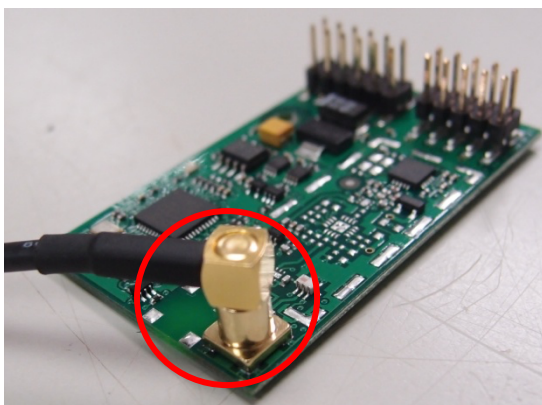
13.1 TIMO-W-DMX-PCBR (選配)

此無線 DMX 模組包含一個無線 DMX PCB 板及一個無線 DMX 接收器



13.2 安裝說明

接收器的安裝方式請參考 12.3，安裝時需注意天線接頭紅圈處需確實安裝到無線 DMX 天線板上，紅框處為無線 DMX PCB 板安裝到 M-11 主版之位置，在安裝時遇到困難，請與當地 Antari 經銷商聯繫，尋求協助。



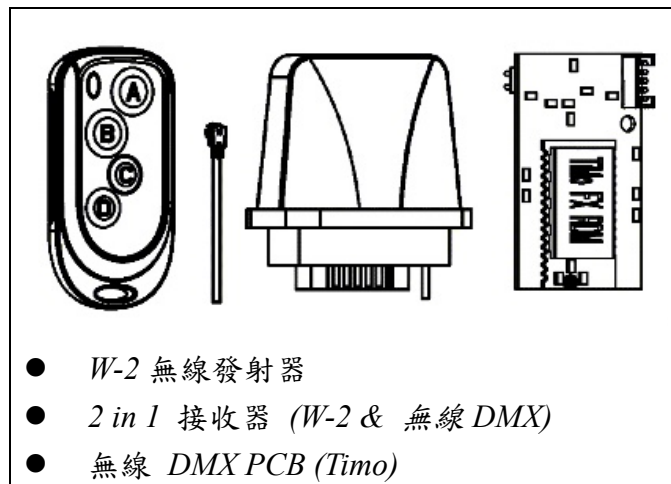
13.3 連接狀態說明

LCD 螢幕上所顯示的符號	無線 DMX 連結狀態
○	無線 DMX 發射器已對頻，接收到 DMX 訊號
◎	無線 DMX 發射器已對頻，但沒有 DMX 訊號
⊙	無線 DMX 發射器連接遺失 / 正在與發射器連接
●	沒有對頻任何無線 DMX 發射器

14. 二合一無線控制&無線 DMX 模組(選配)

14.1 WTR-70 此配件為二合一無線控制&無線 DMX 控制功能

此模組包含 1 個 W-2 無線發射器、1 個二合一接收器以及 1 個無線 DMX PCB 板



14.2 安裝說明

請參考 12.3 及 13.2 的安裝方式，在安裝時遇到困難，請與當地 Antari 經銷商聯繫，尋求協助。

15. 機器維護保養



危險!

維修保養之前，請務必斷開電源！

- 請保持機器清潔，不要讓機器髒汙。
- 可以使用空氣壓縮機、吸塵器或軟刷除去機器上的灰塵。
- 機殼可使用濕布擦拭。
- 存放或收起機器前，請確認機器完全冷卻，避免機器內部潮濕導致故障。
- 建議每月至少讓機器運轉一次，以保持機器處於最佳的性能和輸出條件。
- 機器上過多的灰塵、液體殘餘累積的髒汙會降低機器工作性能，導至散熱不良。

重置斷路器

此二合一開關結合電源和斷路器功能。請依照以下步驟重置斷路器。

步驟 1: 請將此二合一開關切到 OFF 的位置

步驟 2: 等待 60 秒

步驟 3: 再將此二合一開關切到 ON 的位置即完成重置

若重置斷路器後，依然跳掉的話，請與當地 Antari 經銷商聯繫，尋求協助。



斷路器規格

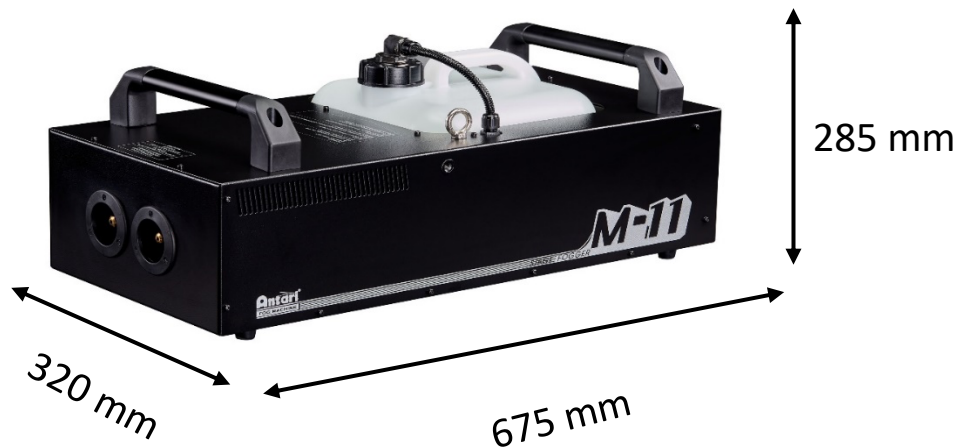
100-120V = 15A 250V

220-240V = 9A 250V

16. 技術規格

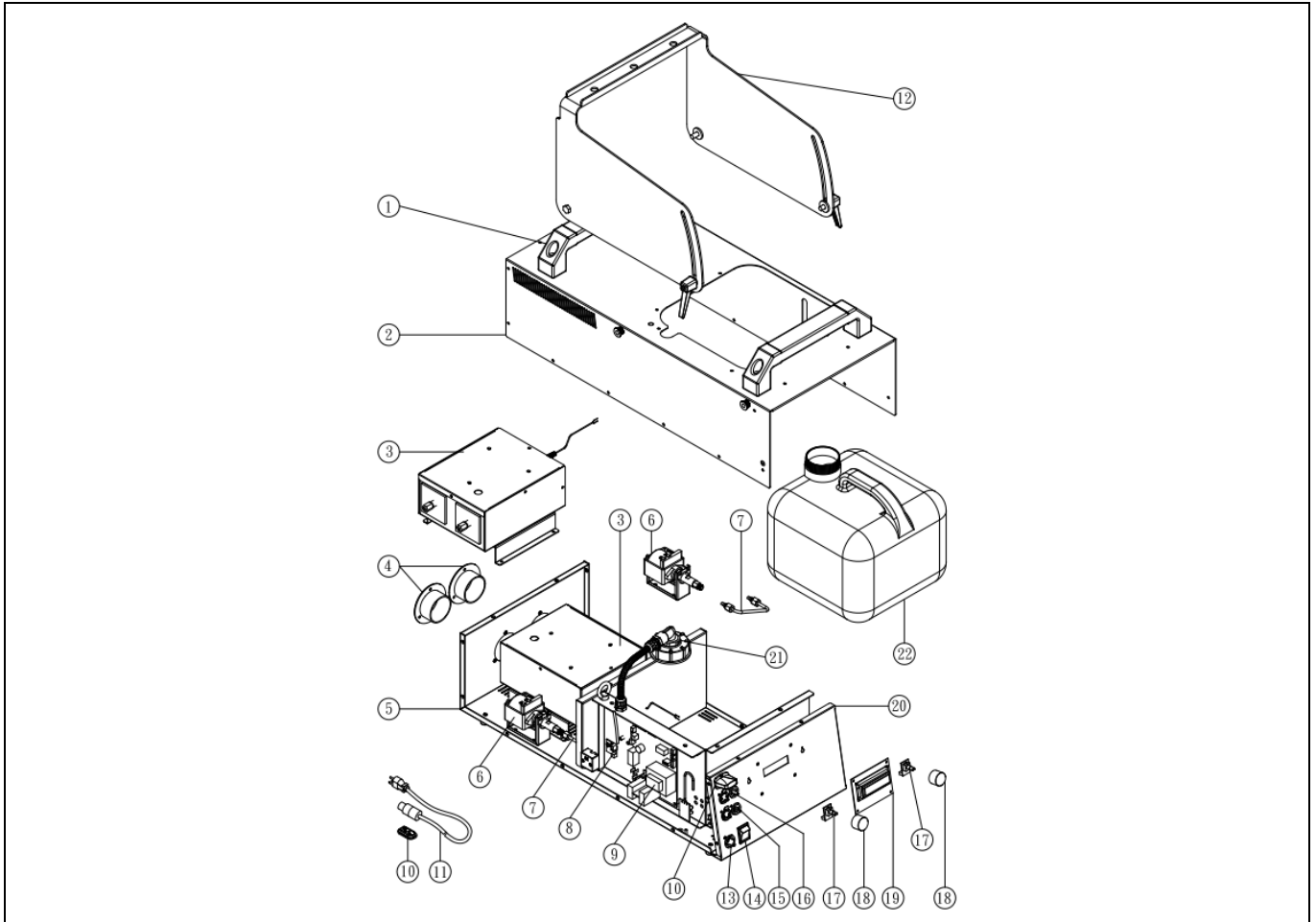
S-600	
電壓	美規 : AC 100-120V, 50/60Hz 13.3A 歐規 : AC 220-240V, 50/60Hz 6.67A
額定功率	1600 瓦
加熱時間	約 13 分鐘
耗油量	400 毫升/分鐘 (100%輸出)
油桶容量	10 公升(2.64 加侖)
適用液體	Antari FLG 濃煙霧水 Antari FLR 淡煙霧水 Antari FLY 特濃煙霧水 Antari FLZ 長停留時間煙霧水
適用環溫	5°C – 40°C (41°F – 104°F)
控制方式	手動控制、定時控制、DMX 512 無線控制(選配)、無線 DMX(選配)
DMX 512 通道	佔用 1 或 3 個頻道
連接座	Neutrik TRUE1 (主電源) XLR 3-pin 及 5-pin (DMX)
選擇性配件	WTR-20 無線控制模組 TIMO-W-DMX-PCBR 無線 DMX 模組 WTR-70 無線控制暨無線 DMX 模組
尺寸	長 675 寬 320 高 285 公釐 (長 26.57 寬 12.6 高 11.22 英寸)
重量	25 公斤 (55.1 磅)

17. 機器尺寸圖



18. 機台爆炸圖

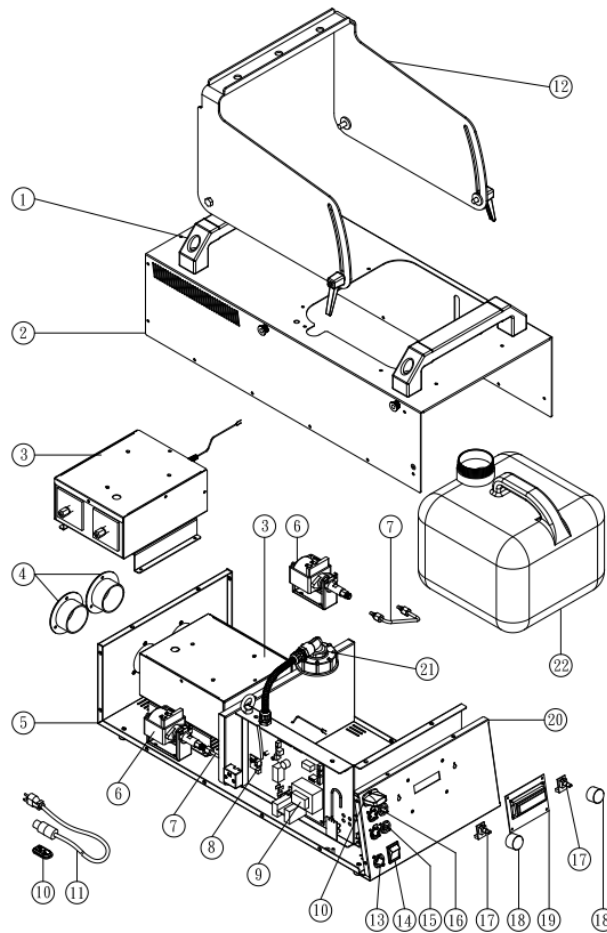
18.1 AC-120V



SPARE PARTS OF M-11

1	M-11-HL	Handle	12	M-11-HB	Hanging Bracket (Group) (Optional)
2	M01100H01	Steel Case	13	C04312610	Power Inlet
3	M-11-H	Heater (Group)(120V)	14	C04000100	Rocker Switch/Power
4	C02006000	Plastic Nozzle	15	M-11-PCBD5 (DMX5P00A5)	P.C Board DMX 5Pin
5	M0110LL01	Steel Case	16	M-11-PCBD3 (DMX3P00AB)	P.C Board DMX 3Pin
6	M-11-P (PA0EX5A30)	Pump (Group)(120V)	17	B06721A00	Rotary Encoder
7	M-11-CP	Brass Tube	18	C04006500	Control Knob
8	M-11-PCBS (PCBS13340)	Optical Liquid Sensing	19	M-11-PCBC	Control P.C Board
9	M-11-PCB	Main P.C Board(120V)	20	M01100L00	Steel Case
10	WTR-20A	Wireless (Optional)(315MHZ)	21	M-11-TKC (TKC3A17AC)	Tank Cap (Group)
11	M-11-PC (PCA014204)	Power Cord & Plug(US plug)	22	M-11-TK (TK0210000)	Tank

18.2 AC-230V



SPARE PARTS OF M-11

1	M-11-HL	Handle	12	M-11-HB	Hanging Bracket (Optional)
2	M01100H01	Steel Case	13	C04312610	Power Inlet
3	M-11E-H	Heater (Group)(230V)	14	C04000100	Rocker Switch/Power
4	C02006000	Plastic Nozzle	15	M-11-PCBD5 (DMX5P00A5)	P.C Board DMX 5Pin
5	M0110LL01	Steel Case	16	M-11-PCBD3 (DMX3P00AB)	P.C Board DMX 3Pin
6	M-11E-P(PE0EX5A30)	Pump (Group)(230V)	17	B06721A00	Rotary Encoder
7	M-11-CP	Brass Tube	18	C04006500	Control Knob
8	M-11-PCBS (PCBS13340)	Optical Liquid Sensing	19	M-11-PCBC	Control P.C Board
9	M-11E-PCB	Main P.C Board(230V)	20	M01100L00	Steel Case
10	WTR-20E	Wireless (Optional)(433MHZ)	21	M-11-TKC (TKC3A17AC)	Tank Cap (Group)
11	M-11E-PC(PCE015204)	Power Cord & Plug(EU plug)	22	M-11-TK (TK0210000)	Tank

Antari[®]
FOG MACHINE

M-11
STAGE FOGGER



C08M11002